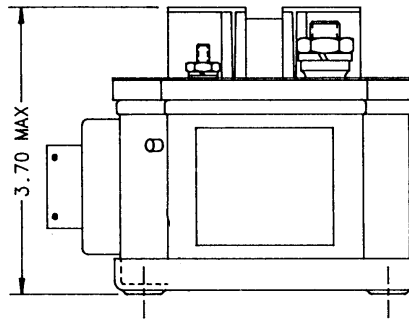
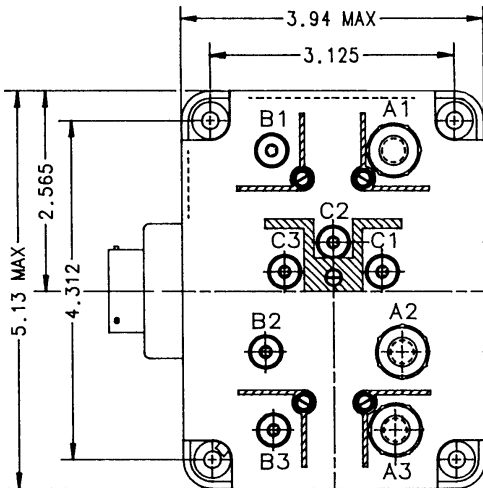


B-499 3PDT, Double Break, 35/200 Amps, 115 VAC, 400 Hz/28 VDC



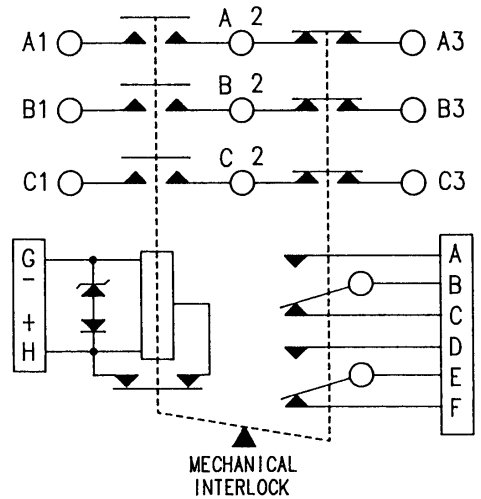
Features:

- 3PDT Double Break Main Contacts
- Transient Suppression
- Mechanically Interlocked
- Economizing Coil
- 115 VAC, 400 Hz
- 28 VDC
- 35 to 200 Amps
- High Reliability
- Meets many requirements of MIL-R-6106



Dimensions for this product are expressed in inches. Multiply values by 25.4 for millimeters.

CONTACTOR CONFIGURATION



PRODUCT SPECIFICATIONS	
Construction	Gasket Sealed, Vented
Main Contacts:	
Configuration	3PDT
Current	
Resistive A Contacts	200 Amps, 28 VDC
Resistive B Contacts	35 Amps, 28 VDC
Resistive C Contacts	35 Amps, 115 VAC, 400 Hz
Auxiliary Contacts:	
Configuration	2-SPDT
Voltage (Nominal)	5 VDC
Current (Resistive)	0.1 mA
Coil Data:	
Duty Cycle	Continuous (Economizing)
Voltage (Nominal)	28 VDC
Pick-Up Voltage	18 VDC Maximum
Drop-Out Voltage	1 - 7 VDC
Coil Current @ 28 VDC & +25°C	
In-Rush	5.6 Amps Maximum
Hold	0.43 Amps Maximum
Operating Temperature	-55°C to +71°C
Life:	
Electrical	50,000 Cycles
Mechanical	100,000 Cycles
Weight	3 Lbs. 10 Oz.

Notes:

For factory-direct application assistance, contact the HARTMAN product team at (419) 521-9500, Fax (419) 526-2749.

© 2004 by Tyco Electronics Corporation. All Rights Reserved. HARTMAN and TYCO are trademarks.